

ZAXIS-6 series

HITACHI

Reliable solutions

SUPER LONG FRONT

A P P L I C A T I O N & A T T A C H M E N T



ZAXIS210_{LC}

Model Code	ZX210LC-6
Engine Rated Power	128.4 kW
Operating Weight	24 300 - 25 200 kg

SPECIFICATIONS

ZX210LC TYPE HE15LD SUPER LONG FRONT

ENGINE

Model	Isuzu AR-4HK1X
Type	4-cycle water-cooled, common rail direct injection
Aspiration	Variable geometry turbocharged, intercooled, cooled EGR
Aftertreatment	DOC and SCR system
No. of cylinders	4
Rated power	
ISO 14396	128.4 kW at 2 000 min ⁻¹ (rpm)
ISO 9249, net	122 kW at 2 000 min ⁻¹ (rpm)
SAE J1349, net	122 kW at 2 000 min ⁻¹ (rpm)
Maximum torque	670 Nm at 1 600 min ⁻¹ (rpm)
Piston displacement	5.193 L
Bore and stroke	115 mm x 125 mm
Batteries	2 x 12 V / 126 Ah

HYDRAULIC SYSTEM

Hydraulic Pumps

Main pumps	3 variable displacement axial piston pumps
Maximum oil flow	2 x 212 L/min 1 x 189 L/min
Pilot pump	1 gear pump
Maximum oil flow	33.6 L/min

Hydraulic Motors

Travel	2 variable displacement axial piston motors
Swing	1 axial piston motor

Relief Valve Settings

Implement circuit	34.3 MPa
Swing circuit	27.8 MPa
Travel circuit	35.5 MPa
Pilot circuit	3.9 MPa
Power boost	38.0 MPa

Hydraulic Cylinders

	Quantity	Bore	Rod diameter
Boom	2	120 mm	85 mm
Arm	1	150 mm	105 mm
Bucket	1	100 mm	70 mm

UPPERSTRUCTURE

Revolving Frame

D-section frame for resistance to deformation.

Swing Device

Axial piston motor with planetary reduction gear is bathed in oil. Swing circle is single-row. Swing parking brake is spring-set/hydraulic-released disc type.

Swing speed	9.2min ⁻¹ (rpm)
Swing torque	68kNm

Operator's Cab

Independent spacious cab, 1 005 mm wide by 1 675 mm high, conforming to ISO* Standards.

* International Organization for Standardization

UNDERCARRIAGE

Tracks

Tractor-type undercarriage. Welded track frame using selected materials. Side frame welded to track frame. Lubricated track rollers, idlers, and sprockets with floating seals.

Track shoes with triple grousers made of induction-hardened rolled alloy. Heat-treated connecting pins with dirt seals. Hydraulic (grease) track adjusters with shock-absorbing recoil springs.

Numbers of Rollers and Shoes on Each Side

Upper rollers	2
Lower rollers	8
Track shoes	49
Track guard	2

Travel Device

Each track driven by 2-speed axial piston motor. Parking brake is spring-set/hydraulic-released disc type. Automatic transmission system: High-Low.

Travel speeds	High : 0 to 5.3 km/h Low : 0 to 3.3 km/h
---------------------	---

Maximum traction force ... 203 kN

Gradeability

58% (30 degree) continuous

SOUND LEVEL

Sound level in cab according to ISO 6396 LpA 69 dB(A)

External sound level according to ISO 6395 and

EU Directive 2000/14/EC LwA 101 dB(A)

SERVICE REFILL CAPACITIES

Fuel tank	400.0 L
Engine coolant	28.0 L
Engine oil	23.0 L
Swing device	6.2 L
Travel device (each side)	6.8 L
Hydraulic system	240.0 L
Hydraulic oil tank	135.0 L
DEF/AdBlue® tank	57.0 L

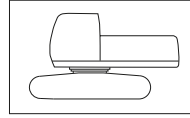
WEIGHTS AND GROUND PRESSURE

ZAXIS 210LC TYPE HE15LD SUPER LONG FRONT:

Equipped with 8.64 m monoblock boom, 5.85 m arm and 0.40 m³ bucket (SAE, PCSA heaped), 6 100 kg counterweight.

Shoe type	Shoe width	Operating weight	Ground pressure
Triple grouser	600 mm	24 300 kg	51 kPa (0.52 kgf/cm ²)
	700 mm	24 600 kg	45 kPa (0.46 kgf/cm ²)
	800 mm	24 800 kg	38 kPa (0.39 kgf/cm ²)
	900 mm	25 200 kg	34 kPa (0.35 kgf/cm ²)

Basic Machine Weight and Overall width



Excluding front end attachment, fuel, hydraulic oil and coolant etc. Including counterweight.

ZX210LC

Shoe width	Weight	Overall width
600 mm	18 900 kg	2 990 mm
700 mm	19 200 kg	3 090 mm
800 mm	19 500 kg	3 190 mm
900 mm	19 800 kg	3 290 mm

BUCKET SPECIFICATIONS AND COMPATIBILITY

ZX210LC

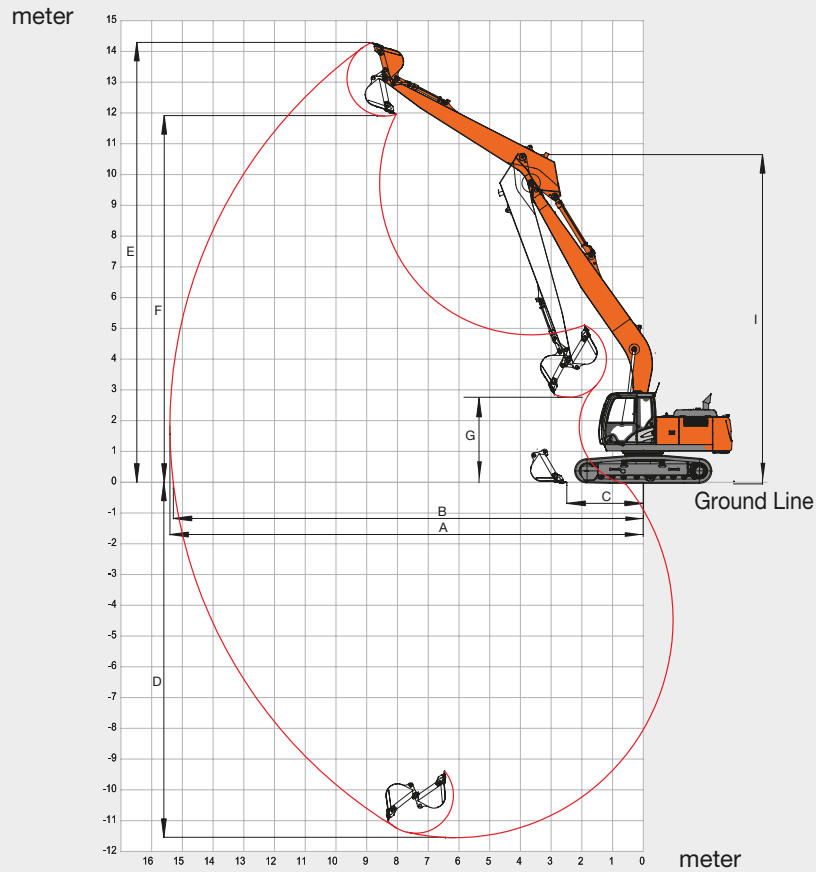
	Capacity ISO heaped	Width Without side cutters	Weight	Recommendation
				ZX210LC-6
				HE15LD
Bucket radius 1 060 mm	0.13 m ³	360 mm	140 kg	◎
	0.17 m ³	450 mm	170 kg	◎
	0.19 m ³	490 mm	180 kg	◎
	0.23 m ³	560 mm	190 kg	◎
	0.28 m ³	660 mm	210 kg	◎
	0.33 m ³	770 mm	230 kg	◎
Bucket radius 1 230 mm	0.40 m ³	720 mm	360 kg	◎
	0.45 m ³	800 mm	390 kg	○
	0.50 m ³	890 mm	410 kg	□
	0.59 m ³	950 mm	430 kg	□
	0.66 m ³	1 030 mm	430 kg	□
Slope finishing	-	1 500 mm	250 kg	x
	-	1 600 mm	430 kg	◇
Max. weight				1 170 kg

- ◎ Suitable for materials with density of 1 800 kg/m³ or less
- Suitable for materials with density of 1 600 kg/m³ or less
- Suitable for materials with density of 1 100 kg/m³ or less
- ◇ Slope-finishing service

SPECIFICATIONS

ZX210LC TYPE HE15LD SUPER LONG FRONT

WORKING RANGES

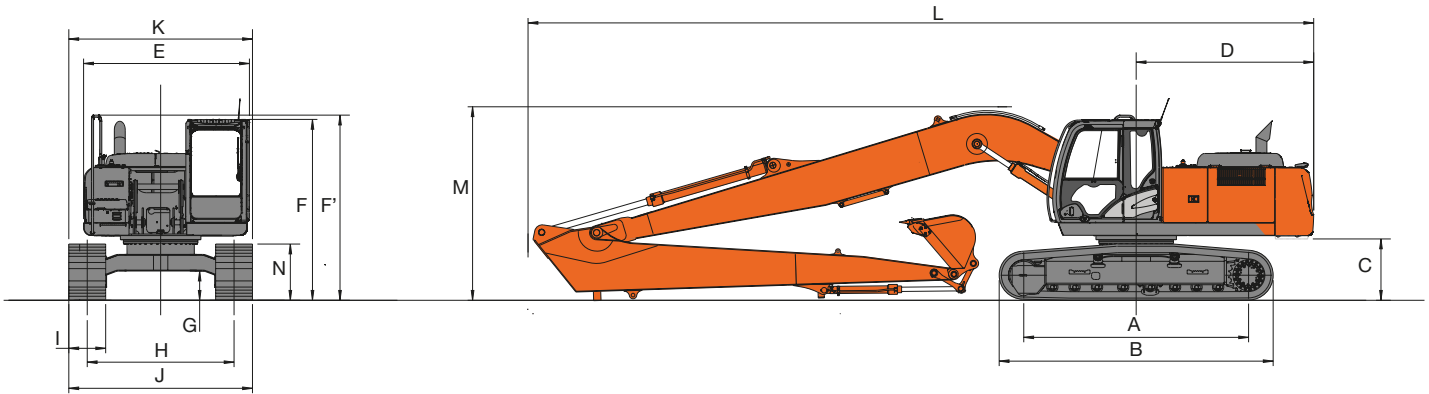


Unit: mm

	ZAXIS 210LC TYPE HE15LD
A Max. digging reach	15 400
B Max. digging reach (on ground)	15 290
C Min. level crowding distance	2 480
D Max. digging depth	11 540
E Max. cutting height	14 290
F Max. dumping height	11 910
G Min. dumping height	4 800
H Min. swing radius	4 710
I Min. swing radius height	10 700
Bucket digging force ISO	81 kN
Arm crowd force ISO	51 kN

- Excluding track shoe lug

DIMENSIONS



Unit: mm

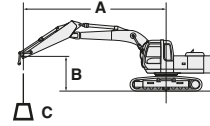
	ZAXIS 210LC TYPE HE15LD
A Distance between tumbler	3 660
B Undercarriage length	4 460
* C Counterweight clearance	950
D Rear-end swing radius	2 890
E Overall width of upperstructure	2 710
F Overall height of cab	2 950
F' Overall height of upperstructure	3 020
* G Min. ground clearance	450
H Track gauge	2 390
I Track shoe width	G 600 / G 700 / G 800 / G 900
J Undercarriage width	2 990 / 3 090 / 3 190 / 3 290
K Overall width	2 990 / 3 090 / 3 190 / 3 290
L Overall length	12 790
M Overall height of boom	3 150
N Track height with triple grouser shoes	920

* Excluding track shoe lug G: Triple grouser shoe

LIFTING CAPACITIES

Metric measure

- Notes:
1. Ratings are based on ISO 10567.
 2. Lifting capacity of the ZAXIS series does not exceed 75% of tipping load with the machine on firm, level ground or 87% full hydraulic capacity.
 3. The load point is the center-line of the bucket pivot mounting pin on the arm.
 4. * Indicates load limited by hydraulic capacity.
 5. 0m = Ground.
- For lifting capacities, subtract bucket and quick hitch weight from lifting capacities.



A: Load radius
 B: Load point height
 C: Lifting capacity

ZAXIS 210LC HE15LD SUPER LONG FRONT



Rating over-front



Rating over-side or 360 degrees

Unit: kg

Conditions	Load point height m	Load radius m														
		3.0		4.5		6.0		7.5		9.0		10.5		12.0		
Boom 8.64 m Arm 5.85 m Counterweight 6 100 kg	13.5															
	12															
	10.5											1 690*	1 690*			
	9											1 650*	1 650*	1 670*	1 670*	
	7.5											1 700*	1 700*	1 660*	1 660*	
	6									1 930*	1 930*	1 800*	1 800*	1 710*	1 710*	
	4.5							2 460*	2 460*	2 150*	2 150*	1 940*	1 940*	1 800*	1 800*	
	3			5 050*	5 050*	3 600*	3 600*	2 850*	2 850*	2 400*	2 400*	2 110*	2 110*	1 900*	1 840	
	1.5			4 960*	4 960*	4 240*	4 240*	3 240*	3 240*	2 660*	2 660*	2 280*	2 280*	2 190	2 020*	1 760
	0 (Ground)	1 330*	1 330*	3 840*	3 840*	4 720*	4 490	3 580*	3 350	2 890*	2 610	2 430*	2 080	2 120*	1 690	
	-1.5	2 260*	2 260*	4 160*	4 160*	5 000*	4 280	3 810*	3 180	3 060*	2 490	2 560*	2 000	2 190*	1 640	
	-3	3 270*	3 270*	5 000*	5 000*	5 090*	4 210	3 920*	3 100	3 150*	2 420	2 620*	1 960	2 220*	1 620	
-4.5	4 380*	4 380*	6 180*	6 180*	5 000*	4 230	3 900*	3 100	3 150*	2 410	2 600*	1 950	2 150*	1 640		
-6	5 660*	5 660*	6 230*	6 230*	4 740*	4 330	3 740*	3 160	3 020*	2 460	2 450*	2 000				
-7.5	7 200*	7 200*	5 490*	5 490*	4 250*	4 250*	3 370*	3 280	2 690*	2 570	2 040*	2 040*				
-9	5 800*	5 800*	4 370*	4 370*	3 430*	3 430*	2 680*	2 680*	1 930*	1 930*						

Conditions	Load point height m	At max. reach				
		13.5		meter		
Boom 8.64 m Arm 5.85 m Counterweight 6 100 kg	13.5					
	12			1 760*	1 760*	9.7
	10.5			1 600*	1 600*	11.1
	9			1 530*	1 530*	12.1
	7.5			1 480*	1 480*	12.9
	6	1 560*	1 520	1 490*	1 490*	13.5
	4.5	1 710*	1 500	1 500*	1 400	13.9
	3	1 760*	1 460	1 540*	1 330	14.1
	1.5	1 830*	1 420	1 600*	1 300	14.1
	0 (Ground)	1 880*	1 390	1 720*	1 300	14.0
	-1.5	1 900*	1 370	1 850*	1 330	13.7
	-3			1 900*	1 410	13.3
-4.5			1 950*	1 540	12.6	
-6			1 980*	1 750	11.7	
-7.5			1 990*	1 990*	10.6	
-9			1 910*	1 910*	9.0	

EQUIPMENT

● : Standard equipment

○ : Optional equipment

ENGINE

Aftertreatment device	●
Air cleaner double filters	●
Alternator 50 A	●
Auto idle system	●
Auto shut-down control	●
Cartridge-type engine oil filter	●
Cartridge-type fuel main filter	●
Cold fuel resistance valve	●
DEF/AdBlue® tank inlet strainer and extension filter	●
DEF/AdBlue® tank with ISO magnet adapter	●
Dry-type air filter with evacuator valve (with air filter restriction indicator)	●
Dust-proof indoor net	●
ECO/PWR mode control	●
Electrical fuel feed pump	●
Engine oil drain coupler	●
Expansion tank	●
Fan guard	●
Fuel cooler	●
Fuel pre-filter with water separator	●
Isolation-mounted engine	●
Maintenance free pre-cleaner	○
Radiator, oil cooler and intercooler	●

HYDRAULIC SYSTEM

Auto power lift	●
Control valve with main relief valve	●
Full-flow filter	●
High mesh full flow filter with restriction indicator	○
Hose rupture valve for arm	●
Hose rupture valve for boom	●
Pilot filter	●
Power boost	●
Suction filter	●
Swing dampener valve	●
Two extra port for control valve	●
Variable relief valve for breaker & crusher	●
Work mode selector	●

CAB

All-weather sound suppressed steel cab	●
AM-FM radio	●
Ashtray	●
Auto control air conditioner	●
AUX function lever (Breaker assist)	○
AUX terminal and storage	●
Cigarette lighter 24 V	●
CRES V (Center pillar reinforced structure) cab	●
Drink holder with hot & cool function	●
Electric double horn	●
Engine shut-off switch	●
Equipped with reinforced, tinted (green color) glass windows	●
Evacuation hammer	●
Fire extinguisher bracket	●
Floor mat	●
Footrest	●
Front window washer	●
Glove compartment	●
Hot & cool box	●
Intermittent windshield wipers	●
Key cylinder light	●
Laminated round glass window	○
LED room light with door courtesy	●
OPG front guard Level II (ISO10262) compliant cab	○
OPG top guard Level I (ISO10262) compliant cab	●
OPG top guard Level II (ISO10262) compliant cab	○
Pilot control shut-off lever	●
Power outlet 12 V	○
Rain guard	○
Rear tray	●
Retractable seat belt	●
ROPS (ISO12117-2) compliant cab	●
Rubber radio antenna	●
Seat : air suspension seat with heater	●
Seat adjustment part : backrest, armrest, height and angle, slide forward / back	●
Short wrist control levers	●
Sun visor (front window/side window)	○
Transparent roof with slide curtain	●
Windows on front, upper, lower and left side can be opened	●
2 speakers	●
4 fluid-filled elastic mounts	●

MONITOR SYSTEM

Alarms: overheat, engine warning, engine oil pressure, alternator, minimum fuel level, hydraulic filter restriction, air filter restriction, work mode, overload, SCR system trouble, etc	●
Alarm buzzers: overheat, engine oil pressure, overload, SCR system trouble	●
Display of meters: water temperature, hour, fuel rate, clock, DEF/AdBlue® rate	●
Other displays: work mode, auto-idle, glow, rearview monitor, operating conditions, etc	●
Side view monitor	●
32 languages selection	●

LIGHTS

Additional boom light with cover	○
Additional cab roof front lights	○
Additional cab roof rear lights	○
Rotating lamp	○
2 working lights	●

UPPER STRUCTURE

Batteries 2 x 126 Ah	●
Battery disconnect switch	●
Body top handrail	●
Counterweight 6 100 kg	●
Electric fuel refilling pump with auto stop and filter	●
Fuel level float	●
Hydraulic oil level gauge	●
Lockable fuel refilling cap	●
Lockable machine covers	●
Lockable tool box	●
Platform handrail	●
Rear view camera	●
Rear view mirror (right & left side)	●
Side view camera	●
Skid-resistant plates and handrails	●
Swing parking brake	●
Undercover	●
Utility space	●

UNDERCARRIAGE

Bolt-on sprocket	●
Reinforced track links with pin seals	●
Shoe: 600 mm triple grouser	●
Shoe: 700 mm triple grouser	○
Shoe: 800 mm triple grouser	○
Shoe: 900 mm triple grouser	○
Track undercover	○
Travel direction mark on track frame	●
Travel motor covers	●
Travel parking brake	●
Upper and lower rollers	●
2 track guards (each side) and hydraulic track adjuster	●
3 track guards (each side) and hydraulic track adjuster	○
4 tie down brackets	●

FRONT ATTACHMENTS

Casted bucket link A	●
Centralized lubrication system	●
Dirt seal on all bucket pins	●
Flanged pin	●
HN bushing	●
Reinforced resin thrust plate	●
WC (tungsten-carbide) thermal spraying	●
Welded bucket link A	○

ATTACHMENTS

Accessories for 2 speed selector	○
Additional pump (30 L/min)	○
Assist piping	○
Attachment basic piping	●
Parts for breaker and crusher	●
Pilot accumulator	○

MISCELLANEOUS

Global e-Service	●
Onboard information controller	●
Standard tool kit	●

Standard and optional equipment may vary by country, so please consult your Hitachi dealer for details.

* Hitachi Construction Machinery cannot be held liable for theft, any system will just minimize the risk of theft.

Prior to operating this machine, including satellite communication system, in a country other than a country of its intended use, it may be necessary to make modifications to it so that it complies with the local regulatory standards (including safety standards) and legal requirements of that particular country. Please do not export or operate this machine outside the country of its intended use until such compliance has been confirmed. Please contact your Hitachi dealer in case of questions about compliance.

These specifications are subject to change without notice. Illustrations and photos show the standard models, and may or may not include optional equipment, accessories, and all standard equipment with some differences in color and features. Before use, read and understand the Operator's Manual for proper operation.

